

4

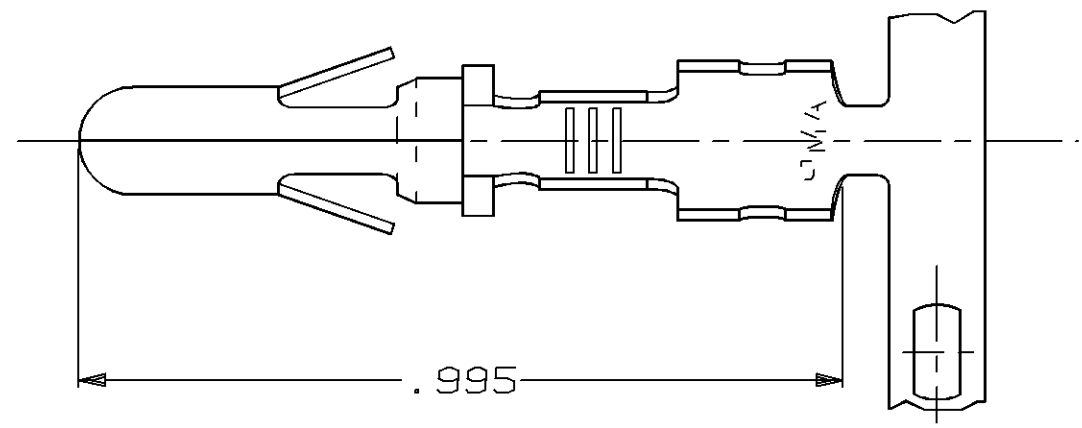
3

2

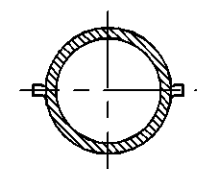
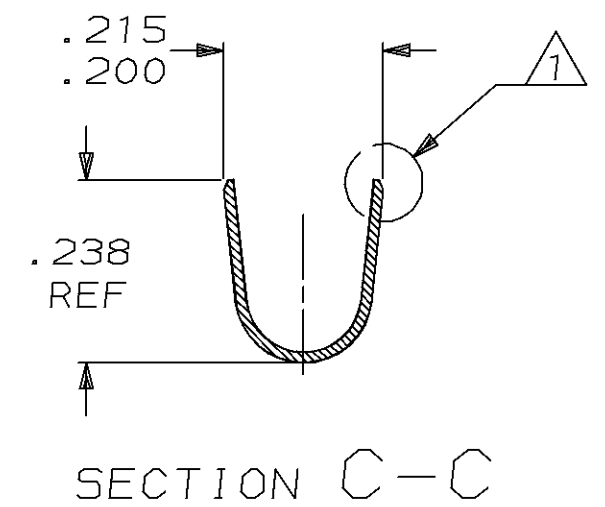
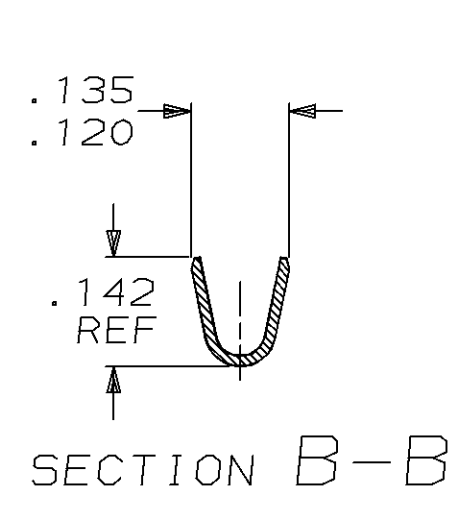
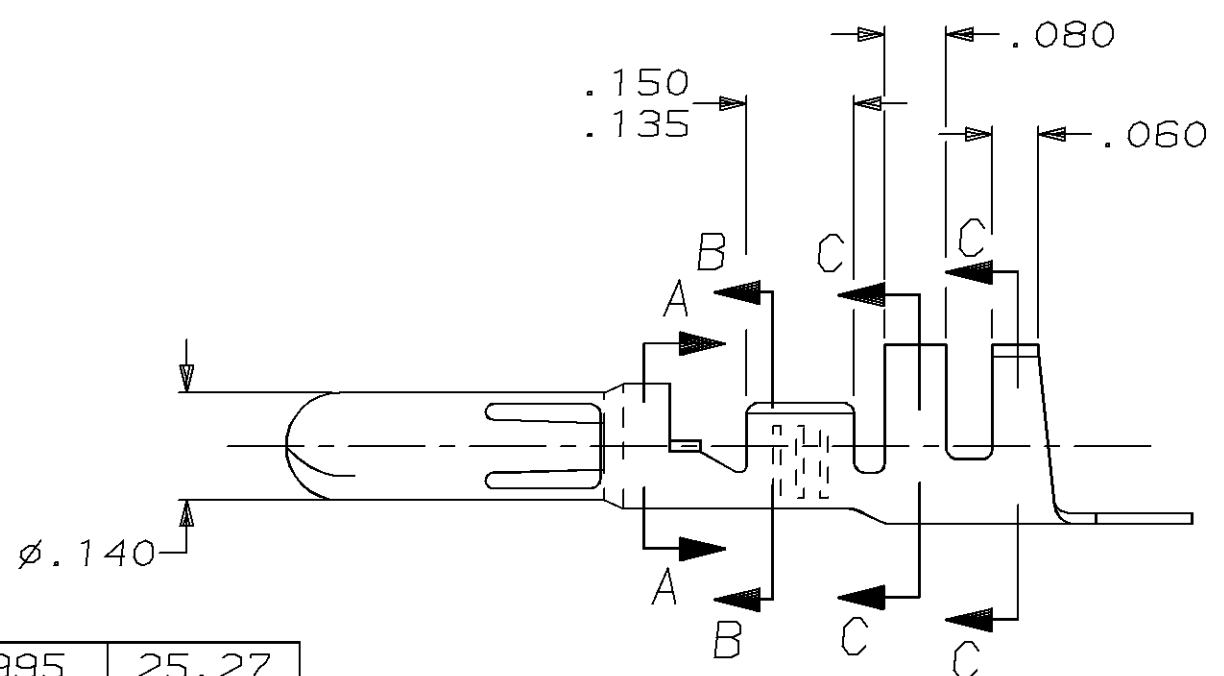
1

THIS DRAWING IS UNPUBLISHED. RELEASED FOR PUBLICATION ,19 .  
 © COPYRIGHT 19 BY AMP INCORPORATED. ALL RIGHTS RESERVED.

LOC	DIST	REVISIONS			
P	LTR	DESCRIPTION	DATE	DWN	APVD
CM	53				
	D	REV AND REDWN PER EC 0730-0079-94	4-07-94	LS	RS



△ 1 SWAGE, INSULATION BARREL ONLY.



SECTION A-A

**METRIC**

.995	25.27
.238	6.05
.215	5.46
.200	5.08
.150	3.81
.142	3.61
.140	3.56
.135	3.43
.120	3.05
.080	2.03
.060	1.52
.014	0.36
.005	0.13
IN	MM
CONVERSION TABLE	

-	TIN	.014 PH. BRZ	61627-2
350389-1	TIN	.014 BRASS	61627-1
LOOSE PIECE (REF)	FINISH	MATERIAL	PART NUMBER

<small>THIS DRAWING IS A CONTROLLED DOCUMENT FOR AMP INCORPORATED. IT IS SUBJECT TO CHANGE AND THE CONTROLLING ENGINEERING ORGANIZATION SHOULD BE CONTACTED FOR THE LATEST REVISION.</small>		DWN L. SMITH 4-07-94 CHK R. SWING 4-07-94 APVD C. MARTIN 4-11-94 PRODUCT SPEC APPLICATION SPEC WEIGHT - CUSTOMER DRAWING	<b>AMP</b> AMP Incorporated Harrisburg, PA 17105-3608 NAME .140 DIA PIN SIZE A3 CAGE CODE 00779 DRAWING NO C-61627 SCALE 4:1 SHEET 1 OF 1 REV D
DIMENSIONS INCHES 	TOLERANCES UNLESS OTHERWISE SPECIFIED: 0 PLC ±- 1 PLC ±- 2 PLC ±- 3 PLC ±.005 4 PLC ±- ANGLES ±1 FINISH SEE TABLE		